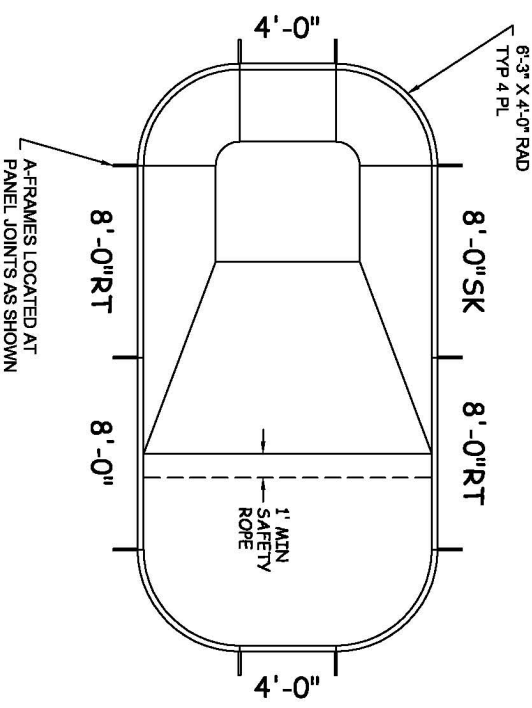
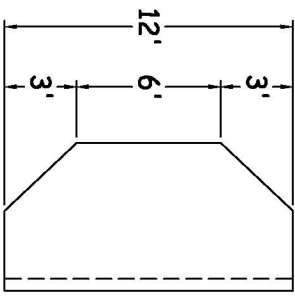


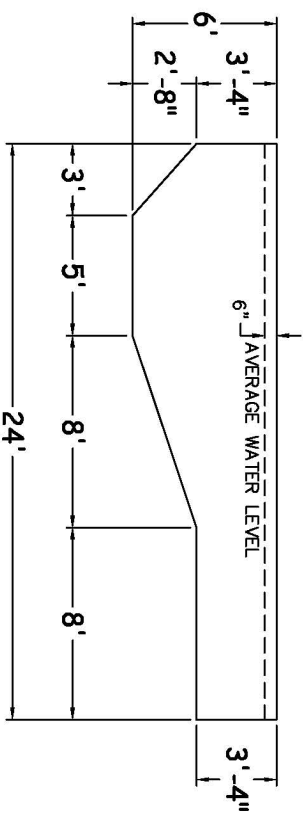
6' STEP

N/A



8' STEP

N/A



CLASSIC STEEL

12-0 X 24-0 CATALINA



PART#: ISK-RE-1224-48-STD	SURFACE AREA: (ft ²): 274	PERIMETER: 65'-0"
DATE: 01/01/07	LINER AREA (ft ²): 288	VOLUME (US Gal): 7,630
SCALE: 1/8" = 1'-0"	SFTY COVER AREA (ft ²): 364	VOLUME (Litres): 28,983



NON-DIVING POOL
USE OF DIVING EQUIPMENT
IS PROHIBITED

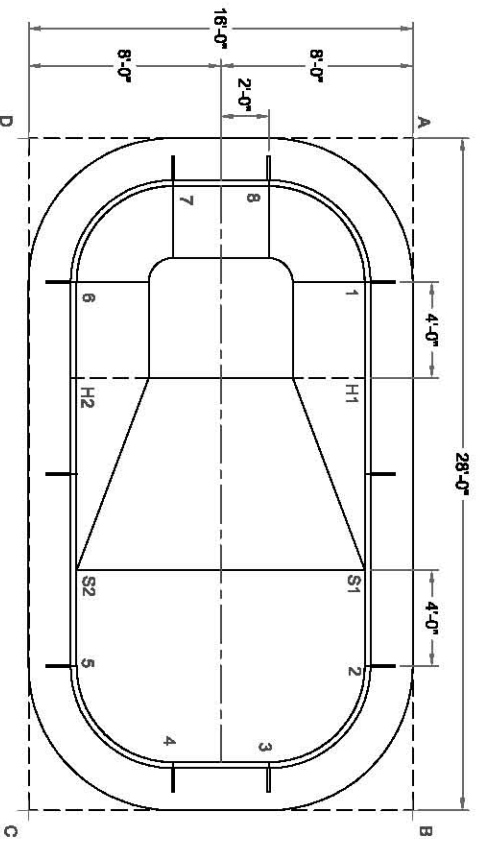
MEETS DEPTH AND SHAPE MINIMUM STANDARD ANS/SP15-2003

CATALINA

DWG#: CLRE48S1224-07

SHEET: 1 OF 2

BILL OF MATERIALS		STEP	
DESCRIPTION	NO	6"	8"
8'-0" STRAIGHT - HS10850M	1	-	-
8'-0" STRAIGHT - PLAIN	1	-	-
8'-0" STRAIGHT - HR	2	-	-
4'-0" STRAIGHT - PLAIN	2	-	-
6" X 4" 90° RADIUS CORNER	4	-	-
A-FRAME	10	-	-
HARDWARE, STRAIGHT 150 PACK	2	-	-
REBAR, STAKE 18 IN. (25 PACK)	1	-	-
OPTIONAL DECK SUPPORT	24	-	-



	A	B	C	D
1	6'-4"	22'-1"	26'-1"	15'-2 3/4"
2	22'-1"	6'-4"	15'-2 3/4"	26'-1"
3	26'-8 1/4"	6'-4"	10'-2 1/2"	27'-10 1/4"
4	27'-10 1/4"	10'-2 1/2"	6'-4"	26'-8 1/4"
5	26'-1"	15'-2 3/4"	6'-4"	22'-1"
6	15'-2 3/4"	26'-1"	22'-1"	6'-4"
7	10'-2 1/2"	27'-10 1/4"	26'-8 1/4"	6'-4"
8	6'-4"	26'-8 1/4"	27'-10 1/4"	10'-2 1/2"
S1	18'-1 1/4"	10'-2 1/2"	17'-2 1/2"	22'-9 3/4"
S2	22'-9 3/4"	17'-2 1/2"	10'-2 1/2"	18'-1 1/4"
H1	10'-2 1/2"	18'-1 1/4"	22'-9 3/4"	17'-2 1/2"
H2	17'-2 1/2"	22'-9 3/4"	18'-1 1/4"	10'-2 1/2"
A	-	28'-0"	32'-3"	16'-0"

DIAGONALS	
1 TO 2	16'-0"
1 TO 3	20'-4 3/4"
1 TO 4	21'-6 1/2"
1 TO 5	20'-0"
1 TO 6	12'-0"
1 TO 7	8'-11 1/4"
1 TO 8	5'-8"
1 TO S1	12'-0"
1 TO S2	16'-11 3/4"
1 TO H1	4'-0"
1 TO H2	12'-7 3/4"
2 TO 3	5'-8"
2 TO 4	8'-11 1/4"
2 TO 5	12'-0"
2 TO 6	20'-0"
2 TO 7	21'-6 1/2"
2 TO 8	20'-4 3/4"
2 TO S1	4'-0"
2 TO S2	12'-7 3/4"
2 TO H1	12'-0"
2 TO H2	16'-11 3/4"
3 TO 4	4'-0"
3 TO 5	8'-11 1/4"
3 TO 6	21'-6 1/2"
3 TO 7	24'-4"
3 TO 8	24'-0"
3 TO S1	8'-11 1/4"
3 TO S2	11'-3 3/4"
3 TO H1	16'-6"
3 TO H2	17'-10 3/4"