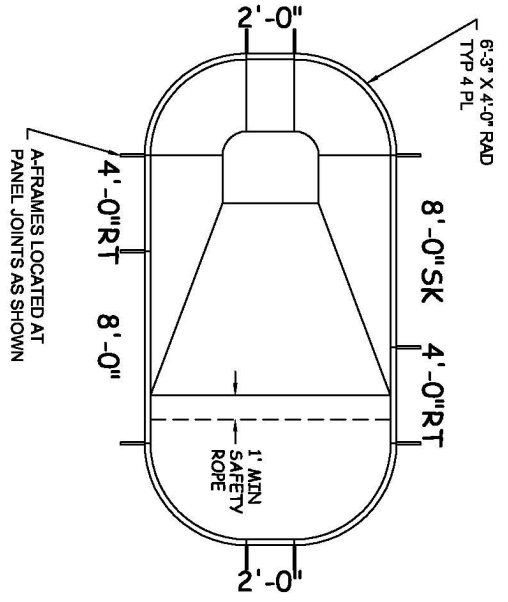
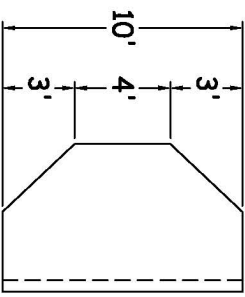
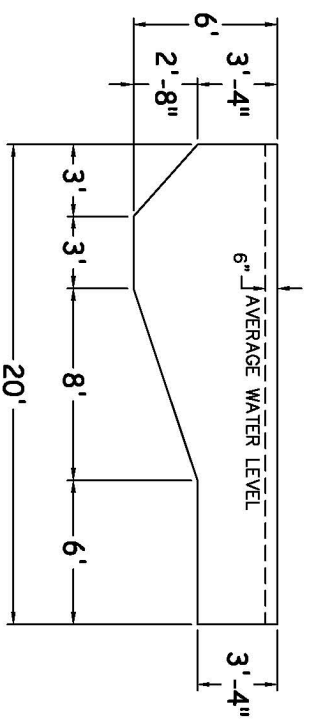


6' STEP



N/A

8' STEP



N/A

CLASSIC STEEL

10-0 X 20-0 CATALINA



PART#: ISK-RE-1020-48-STD	SURFACE AREA: (ft <sup>2</sup> ): 186	PERIMETER: 53'-0"
DATE: 01/01/07	LINER AREA (ft <sup>2</sup> ): 200	VOLUME (US Gal): 5,180
SCALE: 1/8" = 1'-0"	SFTY COVER AREA (ft <sup>2</sup> ): 264	VOLUME (Litres): 19,608



NON-DIVING POOL  
USE OF DIVING EQUIPMENT  
IS PROHIBITED

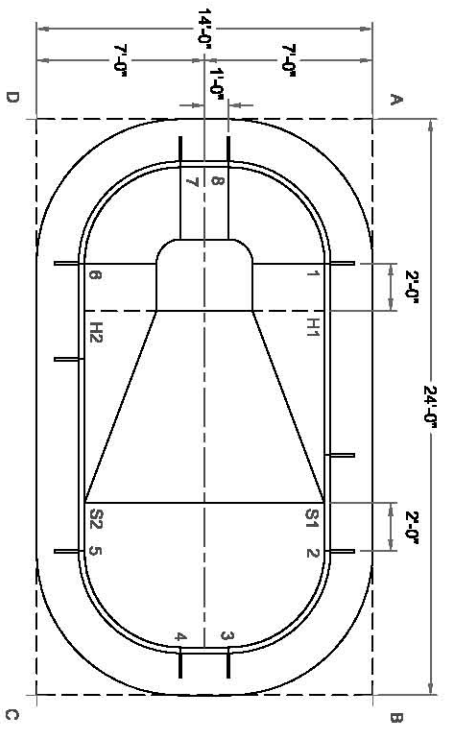
MEETS DEPTH AND SHAPE MINIMUM STANDARD ANS/SP15-2003

CATALINA

DWG#: CLRE48S1020-07

SHEET: 1 OF 2

BILL OF MATERIALS		STEP
DESCRIPTION	NO	6" 8"
8'-0" STRAIGHT - HS10850M	1	-
8'-0" STRAIGHT - PLAIN	1	-
4'-0" STRAIGHT - HR	2	-
2'-0" STRAIGHT - PLAIN	2	-
6" X 4" 90° CORNER	4	-
A-FRAME	10	-
HARDWARE, STRAIGHT 150 PACK	2	-
REBAR, STAKE 18 IN. (25 PACK)	1	-
OPTIONAL DECK SUPPORT	20	-



	A	B	C	D
1	6'-4"	18'-1 1/4"	21'-7 1/2"	13'-5"
2	18'-1 1/4"	6'-4"	13'-5"	21'-7 1/2"
3	22'-9 3/4"	6'-4"	8'-3"	23'-5"
4	23'-5"	8'-3"	6'-4"	22'-9 3/4"
5	21'-7 1/2"	13'-5"	6'-4"	18'-1 1/4"
6	13'-5"	21'-7 1/2"	18'-1 1/4"	6'-4"
7	8'-3"	23'-5"	22'-9 3/4"	6'-4"
8	6'-4"	22'-9 3/4"	23'-5"	8'-3"
S1	16'-1 1/2"	8'-3"	14'-5"	20'-0"
S2	20'-0"	14'-5"	8'-3"	16'-1 1/2"
H1	8'-3"	16'-1 1/2"	20'-0"	14'-5"
H2	14'-5"	20'-0"	16'-1 1/2"	8'-3"
A	-	24'-0"	27'-9 1/2"	14'-0"

DIAGONALS	
1 TO 2	12'-0"
1 TO 3	16'-6"
1 TO 4	17'-1"
1 TO 5	15'-7 1/2"
1 TO 6	10'-0"
1 TO 7	7'-2 1/2"
1 TO 8	5'-8"
1 TO S1	10'-0"
1 TO S2	14'-1 3/4"
1 TO H1	2'-0"
1 TO H2	10'-2 1/2"
2 TO 3	5'-8"
2 TO 4	7'-2 1/2"
2 TO 5	10'-0"
2 TO 6	15'-7 1/2"
2 TO 7	17'-1"
2 TO 8	16'-6"
2 TO S1	2'-0"
2 TO S2	10'-2 1/2"
2 TO H1	10'-0"
2 TO H2	14'-1 3/4"
3 TO 4	2'-0"
3 TO 5	7'-2 1/2"
3 TO 6	17'-1"
3 TO 7	20'-1 1/4"
3 TO 8	20'-0"
3 TO S1	7'-2 1/2"
3 TO S2	8'-5 3/4"
3 TO H1	14'-6 3/4"
3 TO H2	15'-2 3/4"