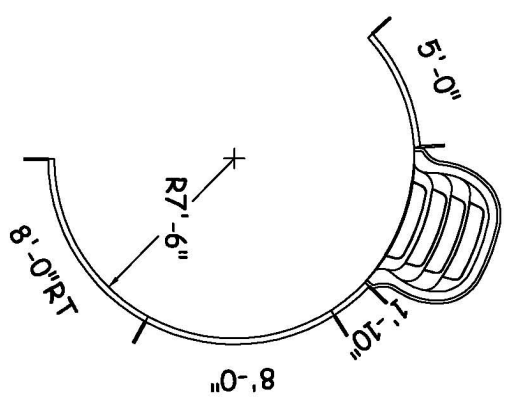
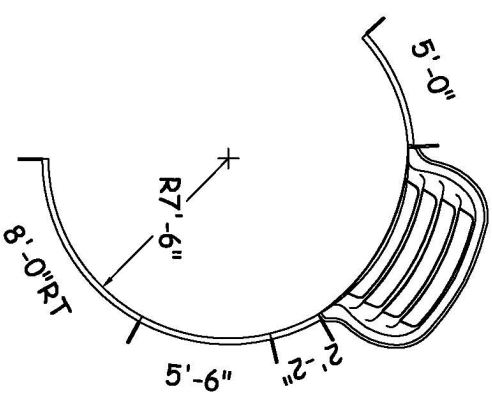


6' STEP



8' STEP



CLASSIC STEEL

15-0 X 12-0 X 29-7 CAPE MAY RIGHT



PART#: ISK-NO-1530-00-STD

DATE: 01/01/07

SCALE: 1/8" = 1'-0"

SURFACE AREA: (ft<sup>2</sup>): 350

LINER AREA (ft<sup>2</sup>): 444

SFTY COVER AREA (ft<sup>2</sup>): 586

PERIMETER: 75'-3"

VOLUME (US Gal): 9,746

VOLUME (Litres): 36,893



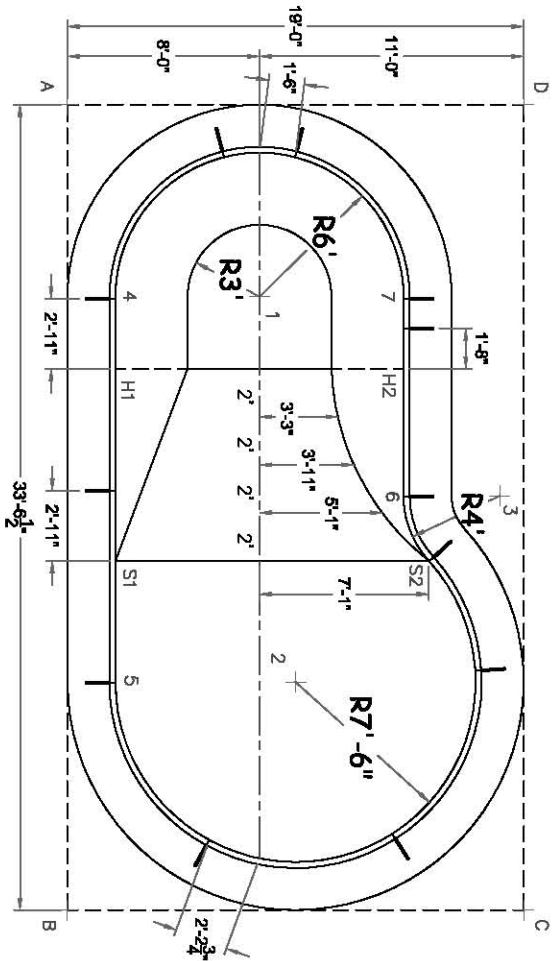
NON-DIVING POOL  
USE OF DIVING EQUIPMENT  
IS PROHIBITED

MEETS DEPTH AND SHAPE MINIMUM STANDARD ANS/SP15-2003

DWG#: CLN000S1530R07

CAPE MAY

SHEET: 1 OF 2



	A	B	C	D
1	11'-3 3/4"	26'-9 1/4"	27'-9 3/4"	13'-7 1/4"
2	25'-10 1/4"	13'-5 1/4"	13'-5 1/4"	25'-10 1/4"
3	24'-3 1/4"	24'-11 1/4"	17'-3 1/4"	16'-4"
4	8'-3 3/4"	25'-6 1/2"	30'-7 1/2"	18'-9 3/4"
5	24'-2"	9'-8 1/4"	19'-5 1/2"	29'-5 3/4"
6	21'-6"	22'-2 1/4"	17'-11 1/4"	17'-1"
7	16'-2"	29'-0 3/4"	25'-11 1/2"	9'-6"
S1	19'-1 1/4"	14'-8 1/4"	22'-4 1/2"	25'-6"
S2	24'-2 3/4"	20'-11 1/4"	15'-0 3/4"	19'-5"
H1	11'-2 1/4"	22'-7 1/2"	28'-2 3/4"	20'-3"
H2	17'-9 3/4"	26'-6 1/2"	23'-1"	12'-1"
A	-	33'-6 1/2"	38'-6 1/2"	19'-0"

DIAGONALS	
1 TO 2	16'-1 1/4"
1 TO 3	13'-0"
1 TO 4	6'-0"
1 TO 5	17'-2"
1 TO 6	10'-3 1/4"
1 TO 7	6'-0"
1 TO S1	12'-6 1/4"
1 TO S2	13'-0 3/4"
1 TO H1	6'-8 1/2"
1 TO H2	6'-8 1/2"
2 TO 3	11'-6"
2 TO 4	17'-7 3/4"
2 TO 5	7'-6"
2 TO 6	8'-11 1/4"
2 TO 7	16'-7"
2 TO S1	9'-0 1/2"
2 TO S2	7'-6"
2 TO H1	15'-0 1/2"
2 TO H2	13'-9 1/2"
3 TO 4	17'-11 3/4"
3 TO 5	17'-9 1/2"
3 TO 6	4'-0"
3 TO 7	9'-1 3/4"
3 TO S1	16'-2 3/4"
3 TO S2	4'-0"
3 TO H1	16'-10 1/4"
3 TO H2	6'-7 3/4"
4 TO 5	16'-0"
4 TO 6	14'-6 3/4"
4 TO 7	12'-0"
4 TO S1	10'-11"
4 TO S2	17'-0 1/4"
4 TO H1	2'-11"
4 TO H2	12'-4 1/4"
5 TO 6	14'-3 1/2"
5 TO 7	20'-0"
5 TO S1	5'-1"
5 TO S2	14'-0"
5 TO H1	13'-1"
5 TO H2	17'-9"
6 TO 7	8'-3"
6 TO S1	12'-3 1/2"
6 TO S2	2'-10 1/2"
6 TO H1	13'-1 1/2"
6 TO H2	5'-4"

BILL OF MATERIALS	STEP		
DESCRIPTION	NO	6'	8'
8'-0" STRAIGHT - HS10850M	1	1	1
8'-0" STRAIGHT - PLAIN	1	1	1
7'-0" STRAIGHT - PLAIN	1	1	1
1'-3" STRAIGHT - PLAIN	1	1	1
8'-0" X 7'-6" RADIUS - PLAIN	2	1	-
8'-0" X 7'-6" RADIUS - HR	1	1	1
5'-6" X 7'-6" RADIUS - PLAIN	-	-	1
5'-0" X 7'-6" RADIUS - PLAIN	1	1	1
2'-2" X 7'-6" RADIUS - PLAIN	-	-	1
1'-10" X 7'-6" RADIUS - PLAIN	-	1	-
8'-0" X 6'-0" RADIUS - PLAIN	1	1	1
8'-0" X 6'-0" RADIUS - HR	1	1	1
3'-0" X 6'-0" RADIUS - PLAIN	1	1	1
3'-0" X 4'-0" REV RAD - PLAIN	1	1	1
A-FRAME	12	13	13
HARDWARE STRAIGHT 150 PACK	2	2	2
REBAR STAKE 18 IN. (25 PACK)	1	1	1
OPTIONAL DECK SUPPORT	28	27	26

DIAGONALS	
7 TO S1	16'-2 3/4"
7 TO S2	10'-11 3/4"
7 TO H1	12'-4 1/4"
7 TO H2	2'-11"
S1 TO S2	13'-0 1/2"
S1 TO H1	8'-0"
S1 TO H2	14'-5"
S2 TO H1	15'-3 3/4"
S2 TO H2	8'-0 3/4"
H1 TO H2	12'-0"