

CLASSIC STEEL

**18-0 X 36-0 HAWAIIIN RIGHT**



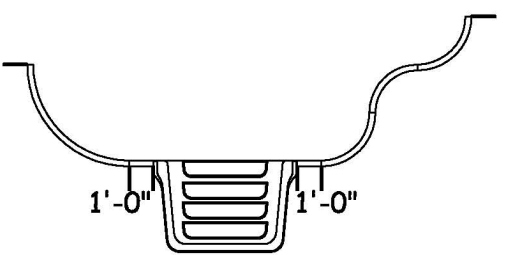
PART#: ISK-CA-1836-48-STD	SURFACE AREA. (ft <sup>2</sup> ): 607	PERIMETER: 99'-6"
DATE: 01/01/07	LINER AREA (ft <sup>2</sup> ): 648	VOLUME (US Gal): 19,926
SCALE: 1/8" = 1'-0"	SFTY COVER AREA (ft <sup>2</sup> ): 760	VOLUME (Litres): 75,428



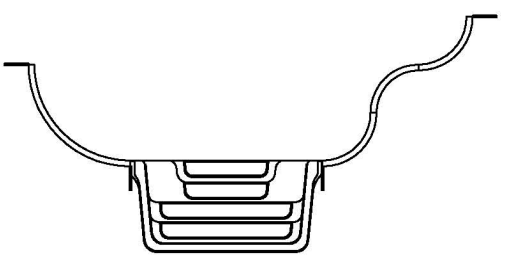
DIVING/SLIDING EQUIPMENT SHALL BE DESIGNED FOR SWIMMING POOLS AND SHALL BE INSTALLED IN ACCORDANCE WITH THE DIVING/SLIDING EQUIPMENT MANUFACTURER'S SPECIFICATIONS. PLEASE CONTACT THE DIVING/SLIDING EQUIPMENT MANUFACTURER FOR THEIR SPECIFICATIONS.

MEETS DEPTH AND SHAPE MINIMUM STANDARD ANS/SP15-2003

6' STEP



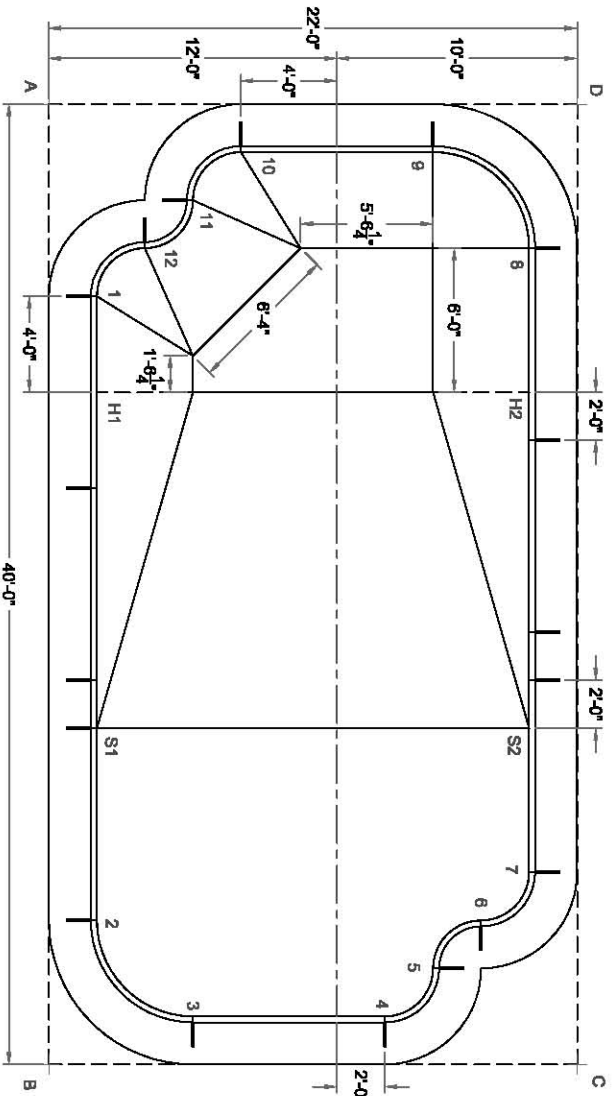
8' STEP



DWG#: CLCA48S1836R07

SHEET: 1 OF 2





	A	B	C	D
1	8'-3"	32'-0 3/4"	37'-8 3/4"	21'-6 1/2"
2	34'-0 3/4"	6'-4"	20'-10 1/2"	39'-5 1/4"
3	38'-5 3/4"	6'-4"	16'-1 1/2"	41'-2 3/4"
4	40'-6"	14'-1 3/4"	8'-3"	38'-10"
5	39'-4 3/4"	16'-6"	7'-2 1/2"	36'-6"
6	38'-5 3/4"	18'-11 3/4"	7'-2 1/2"	34'-2 3/4"
7	37'-8 3/4"	21'-6 1/2"	8'-3"	32'-0 3/4"
8	20'-10 1/2"	39'-5 1/4"	34'-0 3/4"	6'-4"
9	16'-1 1/2"	41'-2 3/4"	38'-5 3/4"	6'-4"
10	8'-3"	38'-10"	40'-6"	14'-1 3/4"
11	7'-2 1/2"	36'-6"	39'-4 3/4"	16'-6"
12	7'-2 1/2"	34'-2 3/4"	38'-5 3/4"	18'-11 3/4"
S1	26'-1"	14'-1 3/4"	24'-5"	32'-9 3/4"
S2	32'-9 3/4"	24'-5"	14'-1 3/4"	26'-1"
H1	12'-2"	28'-0 3/4"	34'-5"	23'-4"
H2	23'-4"	34'-5"	28'-0 3/4"	12'-2"
A	-	40'-0"	45'-7 3/4"	22'-0"

DIAGONALS	
1 TO 3	30'-3 1/4"
1 TO 4	32'-3 3/4"
1 TO 5	31'-3 3/4"
1 TO 6	30'-6 1/4"
1 TO 7	30'-0"
1 TO 8	18'-1 1/4"
1 TO 9	15'-2 3/4"
1 TO 10	8'-5 3/4"
1 TO 11	5'-8"
1 TO 12	2'-10"
1 TO S1	18'-0"
1 TO S2	25'-5 1/2"
1 TO H1	4'-0"
1 TO H2	18'-5 1/4"
2 TO 3	5'-8"
2 TO 4	12'-7 3/4"
2 TO 5	14'-1 3/4"
2 TO 6	16'-0"
2 TO 7	18'-1 1/4"
2 TO 8	33'-3 1/2"
2 TO 9	34'-11 1/4"
2 TO 10	32'-6 3/4"
2 TO 11	30'-3 1/4"
2 TO 12	28'-0 3/4"
2 TO S1	8'-0"
2 TO S2	19'-8 1/4"
2 TO H1	22'-0"
2 TO H2	28'-5"
3 TO 4	8'-0"
3 TO 5	10'-2 1/2"
3 TO 6	12'-7 3/4"
3 TO 7	15'-2 3/4"
3 TO 8	34'-11 1/4"
3 TO 9	37'-4 1/4"
3 TO 10	36'-0 3/4"
3 TO 11	34'-0"
3 TO 12	32'-0 3/4"
3 TO S1	12'-7 3/4"
3 TO S2	18'-5 1/4"
3 TO H1	26'-3 3/4"
3 TO H2	29'-6 1/4"

DIAGONALS	
8 TO 9	5'-8"
8 TO 10	12'-7 3/4"
8 TO 11	14'-1 3/4"
8 TO 12	16'-0"
8 TO S1	26'-11"
8 TO S2	20'-0"
8 TO H1	18'-11 3/4"
8 TO H2	6'-0"
9 TO 10	8'-0"
9 TO 11	10'-2 1/2"
9 TO 12	12'-7 3/4"
9 TO S1	27'-9 1/2"
9 TO S2	24'-4"
9 TO H1	17'-2 1/2"
9 TO H2	10'-9 1/4"
S1 TO S2	18'-0"
S1 TO H1	14'-0"
S1 TO H2	22'-9 3/4"
S2 TO H1	22'-9 3/4"
S2 TO H2	14'-0"
H1 TO H2	18'-0"

BILL OF MATERIALS	STEP		
DESCRIPTION	NO	6'	8'
8'-0" STRAIGHT - HS10850M	1	1	1
8'-0" STRAIGHT - PLAIN	5	4	4
8'-0" STRAIGHT - HR	2	2	2
2'-0" STRAIGHT - PLAIN	2	2	2
1'-0" STRAIGHT - PLAIN	-	2	-
6'-3" X 4'-0" RADIUS 90° CORNER	2	2	2
3'-2" X 2'-0" RADIUS 90° CORNER	4	4	4
3'-2" X 2'-0" REV/RAD 90° CORNER	2	2	2
A-FRAME	18	20	18
HARDWARE: STRAIGHT 160 PACK	2	2	2
REBAR: STAKE 18 IN. (25 PACK)	2	2	2
OPTIONAL DECK SUPPORT	36	36	34