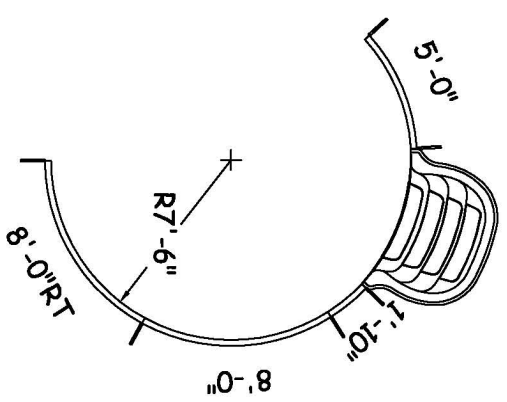
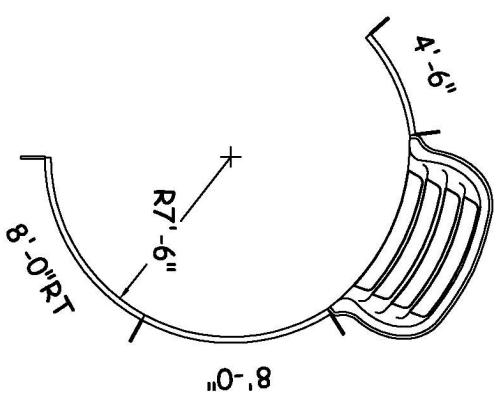


6' STEP



8' STEP



CLASSIC STEEL

15-0 X 12-0 X 27-7 CAPE MAY RIGHT



PART#: ISK-NO-1528-00-STD

SURFACE AREA: (ft²): 326

PERIMETER: 71'-3"

DATE: 01/01/07

LINER AREA (ft²): 414

VOLUME (US Gal): 9,078

SCALE: 1/8" = 1'-0"

SFTY COVER AREA (ft²): 550

VOLUME (Litres): 34,364



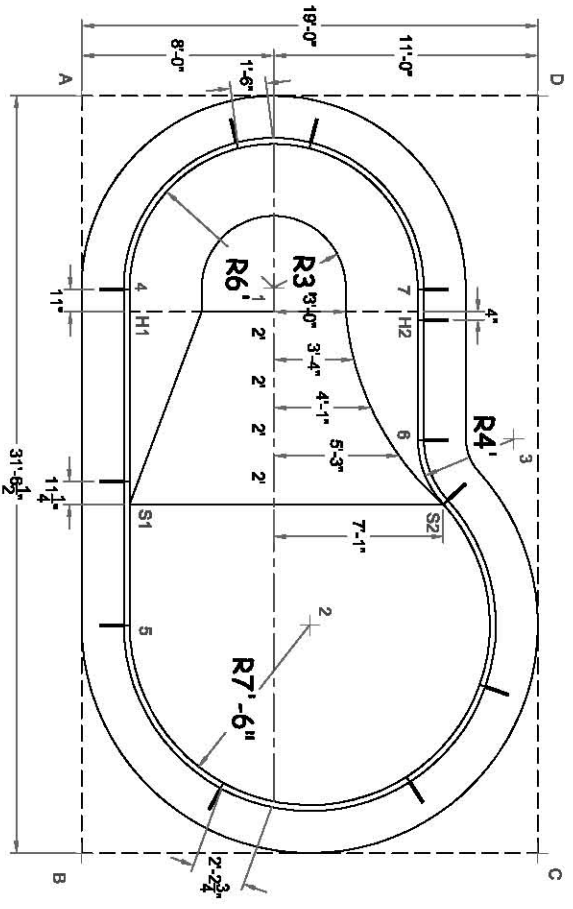
NON-DIVING POOL
USE OF DIVING EQUIPMENT
IS PROHIBITED

MEETS DEPTH AND SHAPE MINIMUM STANDARD ANS/SP15-2003

DWG#: CLN000S1528R07

CAPE MAY

SHEET: 1 OF 2



	A	B	C	D
1	11'-3 3/4"	24'-10 1/2"	25'-11 3/4"	13'-7 1/4"
2	24'-0"	13'-5 1/4"	17'-3 1/4"	24'-0"
3	22'-11 3/4"	24'-11 1/4"	17'-3 1/4"	14'-4"
4	8'-3 3/4"	23'-6 3/4"	28'-11 3/4"	18'-9 3/4"
5	22'-2"	9'-8 1/4"	19'-5 1/2"	27'-10 1/4"
6	20'-0 1/2"	22'-2 1/4"	17'-11 1/4"	15'-2"
7	16'-2"	27'-4"	24'-0"	9'-6"
S1	17'-1 1/2"	14'-8"	22'-4 1/4"	24'-0 3/4"
S2	22'-8 3/4"	20'-11 1/4"	15'-0 1/2"	17'-5 1/2"
H1	9'-2 3/4"	22'-7 1/2"	28'-2 3/4"	19'-2 3/4"
H2	16'-7 3/4"	26'-6 1/2"	23'-1"	10'-3 1/2"
A	-	31'-6 1/2"	36'-10"	19'-0"

DIAGONALS		
1 TO 2	14'-1 1/2"	
1 TO 3	11'-9 3/4"	
1 TO 4	6'-0"	
1 TO 5	15'-3 1/2"	
1 TO 6	8'-8 3/4"	
1 TO 7	6'-0"	
1 TO S1	10'-10"	
1 TO S2	11'-5 1/2"	
1 TO H1	6'-1"	
1 TO H2	6'-1"	
2 TO 3	11'-6"	
2 TO 4	15'-10 1/4"	
2 TO 5	7'-6"	
2 TO 6	8'-11 1/4"	
2 TO 7	14'-8"	
2 TO S1	9'-0 1/4"	
2 TO S2	7'-6"	
2 TO H1	15'-0 1/2"	
2 TO H2	13'-9 1/2"	
3 TO 4	17'-2"	
3 TO 5	17'-9 1/2"	
3 TO 6	4'-0"	
3 TO 7	7'-4 3/4"	
3 TO S1	16'-2 3/4"	
3 TO S2	4'-0"	
3 TO H1	16'-10 1/4"	
3 TO H2	6'-7 3/4"	
4 TO 5	14'-0"	
4 TO 6	13'-6 1/4"	
4 TO 7	12'-0"	
4 TO S1	8'-11 1/4"	
4 TO S2	15'-10"	
4 TO H1	0'-11"	
4 TO H2	12'-0 1/2"	
5 TO 6	14'-3 1/2"	
5 TO 7	18'-5 1/4"	
5 TO S1	5'-0 3/4"	
5 TO S2	14'-0 1/4"	
5 TO H1	13'-1"	
5 TO H2	17'-9"	
6 TO 7	6'-3"	
6 TO S1	12'-3 1/2"	
6 TO S2	2'-10 3/4"	
6 TO H1	13'-1 1/2"	
6 TO H2	5'-4"	

BILL OF MATERIALS	DESCRIPTION	STEP		
		NO	6'	8'
	8'-0" STRAIGHT - HS10850M	1	1	1
	6'-0" STRAIGHT - PLAIN	1	1	1
	5'-0" STRAIGHT - PLAIN	1	1	1
	1'-3" STRAIGHT - PLAIN	1	1	1
	8'-0" X 7'-6" RADIUS - PLAIN	2	1	1
	8'-0" X 7'-6" RADIUS - HR	1	1	1
	5'-0" X 7'-6" RADIUS - PLAIN	1	1	1
	4'-6" X 7'-6" RADIUS - PLAIN	-	-	1
	1'-10" X 7'-6" RADIUS - PLAIN	-	-	1
	8'-0" X 6'-0" RADIUS - PLAIN	1	1	1
	8'-0" X 6'-0" RADIUS - HR	1	1	1
	3'-0" X 6'-0" RADIUS - PLAIN	1	1	1
	3'-0" X 4'-0" REV RAD - PLAIN	1	1	1
	A-FRAME	12	13	12
	HARDWARE STRAIGHT 150 PACK	2	2	2
	REBAR STAKE 18 IN. (25 PACK)	1	1	1
	OPTIONAL DECK SUPPORT	27	26	25

DIAGONALS		
7 TO S1	14'-11 1/2"	
7 TO S2	9'-0"	
7 TO H1	12'-0 1/2"	
7 TO H2	0'-11"	
S1 TO S2	13'-0 3/4"	
S1 TO H1	8'-0 1/4"	
S1 TO H2	14'-5 1/4"	
S2 TO H1	15'-4"	
S2 TO H2	8'-1"	
H1 TO H2	12'-0"	