

19-4 X 35-4 SEVILLE

CLASSIC STEEL

PART#: ISK-SE-1935-00-STD
DATE: 01/01/07

SURFACE AREA: (ft²): 618
LINER AREA (ft²): 683
PERIMETER: 96'-0"
VOLUME (US Gal): 20,287



MEETS DEPTH AND SHAPE MINIMUM STANDARD ANS/SP15-2003

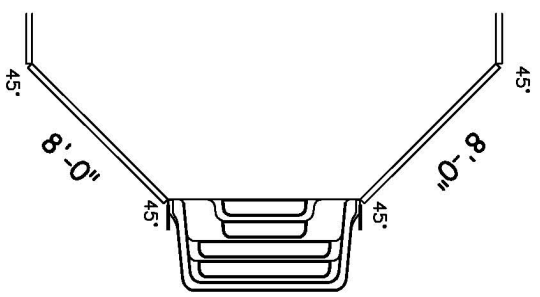
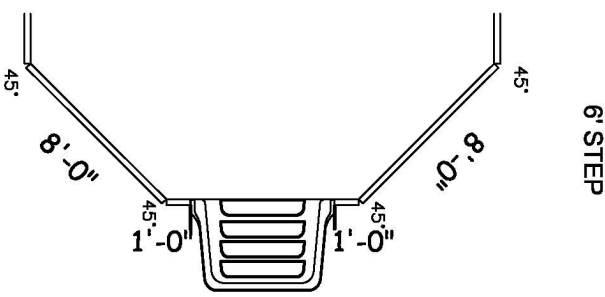
DIVING/SLIDING EQUIPMENT SHALL BE DESIGNED FOR SWIMMING POOLS AND SHALL BE INSTALLED IN ACCORDANCE WITH THE DIVING/SLIDING EQUIPMENT MANUFACTURER'S SPECIFICATIONS. PLEASE CONTACT THE DIVING/SLIDING EQUIPMENT MANUFACTURER FOR THEIR SPECIFICATIONS.

SCALE: 1/8" = 1'-0"

SFTY COVER AREA (ft²): 796

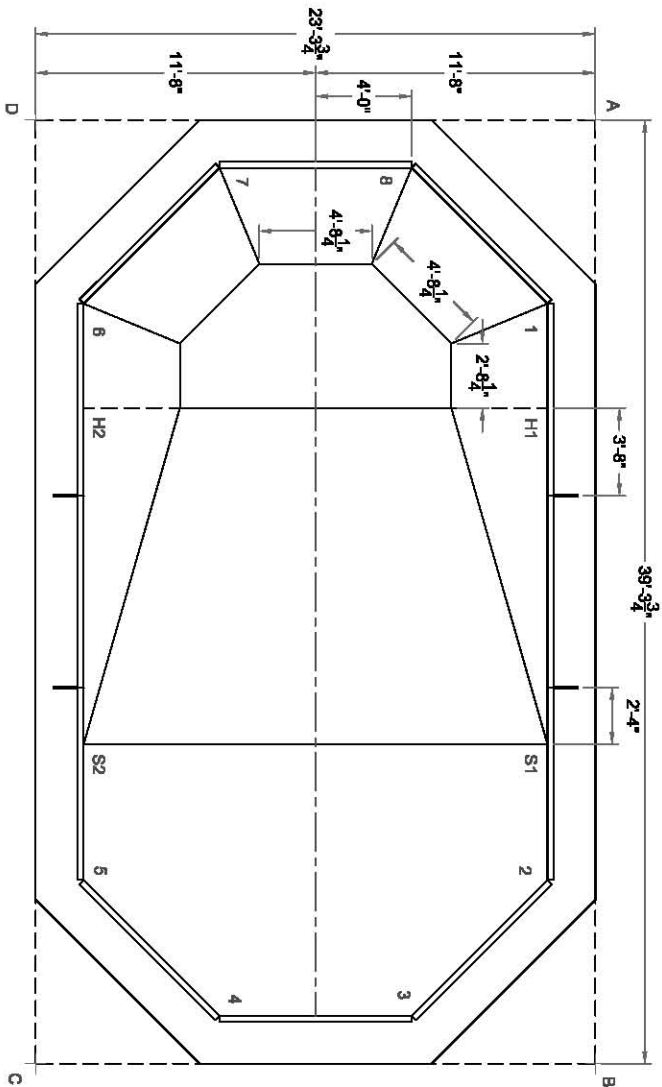
VOLUME (Litres): 76,794

SEVILLE



DWG#: CLSE00S1935-07

SHEET: 1 OF 2



	A	B	C	D
1	7'-1 1/4"	31'-8 3/4"	38'-2"	22'-7 3/4"
2	31'-8 3/4"	7'-1 1/4"	22'-7 3/4"	38'-2"
3	38'-1"	7'-1 1/4"	15'-9 1/2"	40'-5 1/2"
4	40'-5 1/2"	15'-9 1/2"	7'-1 1/4"	38'-1"
5	38'-2"	22'-7 3/4"	7'-1 1/4"	31'-8 3/4"
6	22'-7 3/4"	38'-2"	31'-8 3/4"	7'-1 1/4"
7	15'-9 1/2"	40'-5 1/2"	38'-1"	15'-9 1/2"
8	7'-1 1/4"	38'-1"	40'-5 1/2"	15'-9 1/2"
S1	26'-1"	13'-5 1/2"	25'-1 1/2"	33'-7 1/2"
S2	33'-7 1/2"	25'-1 1/2"	13'-5 1/2"	26'-1"
H1	12'-2"	27'-4 3/4"	34'-7 3/4"	24'-5 1/2"
H2	24'-5 1/2"	34'-7 3/4"	27'-4 3/4"	12'-2"
A	-	39'-3 3/4"	45'-8 1/2"	23'-3 3/4"

DIAGONALS	NO	6"	8"
1 TO 2	24'-0"	1	1
1 TO 3	30'-2 1/4"	1	1
1 TO 4	32'-7 3/4"	2	2
1 TO 5	30'-9 3/4"	8	8
1 TO 6	19'-3 3/4"	1	1
1 TO 7	14'-9 1/2"	4	6
1 TO 8	8'-0"	2	2
1 TO S1	18'-4"	1	1
1 TO S2	26'-7 3/4"	1	1
1 TO H1	4'-4"	1	1
1 TO H2	19'-9 1/2"	1	1
2 TO 3	8'-0"	1	1
2 TO 4	14'-9 1/2"	1	1
2 TO 5	19'-3 3/4"	1	1
2 TO 6	30'-9 3/4"	1	1
2 TO 7	32'-7 3/4"	1	1
2 TO 8	30'-2 1/4"	1	1
2 TO S1	5'-8"	1	1
2 TO S2	20'-1 1/2"	1	1
2 TO H1	19'-8"	1	1
2 TO H2	27'-6 3/4"	1	1
3 TO 4	8'-0"	1	1
3 TO 5	14'-9 1/2"	1	1
3 TO 6	32'-7 3/4"	1	1
3 TO 7	36'-2 1/2"	1	1
3 TO 8	35'-3 3/4"	1	1
3 TO S1	12'-7 3/4"	1	1
3 TO S2	17'-8 3/4"	1	1
3 TO H1	25'-1 1/4"	1	1
3 TO H2	28'-9 1/4"	1	1
7 TO 8	8'-0"	1	1
7 TO S1	27'-7 1/4"	1	1
7 TO S2	24'-8"	1	1
7 TO H1	16'-1 1/4"	1	1
7 TO H2	11'-5 3/4"	1	1
8 TO S1	24'-8"	1	1
8 TO S2	27'-7 1/4"	1	1
8 TO H1	11'-5 3/4"	1	1
8 TO H2	16'-1 1/4"	1	1
S1 TO S2	19'-3 3/4"	1	1
S1 TO H1	14'-0"	1	1
S1 TO H2	23'-10 1/4"	1	1
S2 TO H1	23'-10 1/4"	1	1
S2 TO H2	14'-0"	1	1
H1 TO H2	19'-3 3/4"	1	1

BILL OF MATERIALS	NO	6"	8"
8'-0" STRAIGHT - HS10850M	1	1	1
8'-0" STRAIGHT - PLAN	9	8	8
8'-0" STRAIGHT - HR	2	2	2
1'-0" STRAIGHT - PLAN	-	2	-
CONNECTOR 45° 12GA	8	8	8
HARDWARE 45° (72 PACK)	1	1	1
A-FRAME	4	6	6
HARDWARE STRAIGHT 150 PACK	2	2	2
REBAR, STAKE 18 in. (25 PACK)	1	1	1
OPTIONAL DECK SUPPORT	28	28	28