

CLASSIC STEEL

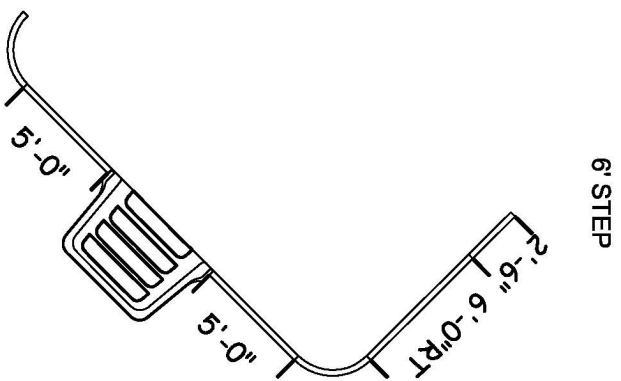
20-0 X 23-4 X 37-10 CALIFORNIAN LEFT

Part#: ISK-MN-2038-24-STD	Surface Area: (ft ²): 638	Perimeter: 98'-10"
Date: 01/01/07	Liner Area: (ft ²): 758	Volume: (US Gal): 20,944
Scale: 1/8" = 1'-0"	Sfty Cover Area: (ft ²): 1077	Volume: (Litres): 79,281

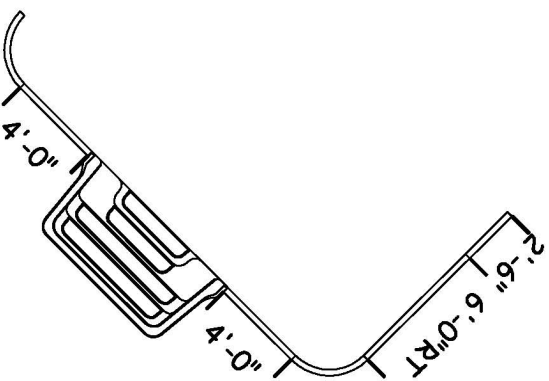


DIVING/SLIDING EQUIPMENT SHALL BE DESIGNED FOR SWIMMING POOLS AND SHALL BE INSTALLED IN ACCORDANCE WITH THE DIVING/SLIDING EQUIPMENT MANUFACTURER'S SPECIFICATIONS. PLEASE CONTACT THE DIVING/SLIDING EQUIPMENT MANUFACTURER FOR THEIR SPECIFICATIONS.

MEETS DEPTH AND SHAPE MINIMUM STANDARD ANS/INSP15-2003



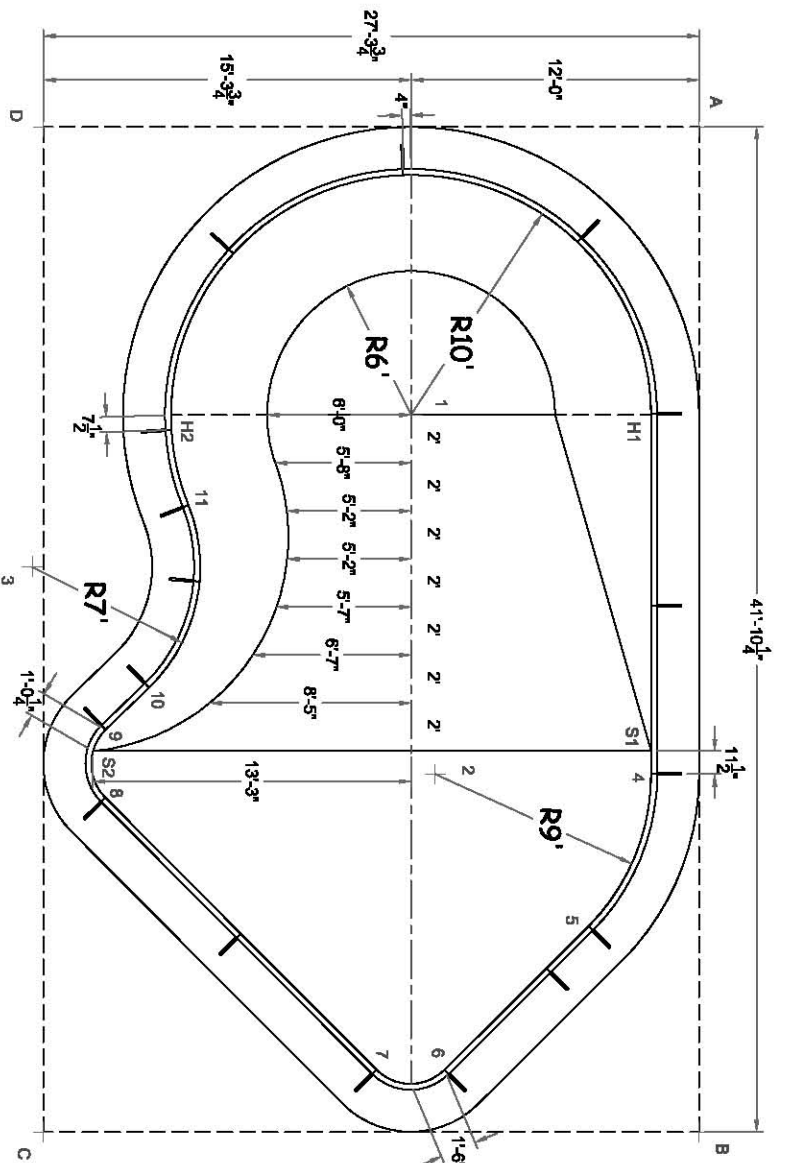
6 STEP



8 STEP

DWG#: CLMN24S2038L07





	A	B	C	D
1	16'-11 3/4"	32'-2 1/4"	33'-6 3/4"	19'-5 1/2"
2	29'-1 1/2"	18'-6 1/4"	22'-1"	31'-6 1/4"
3	33'-3 1/4"	36'-5"	23'-6 1/2"	18'-4"
4	27'-0 1/2"	15'-0 1/2"	29'-4 1/2"	36'-11 3/4"
5	33'-7 1/4"	9'-8 3/4"	24'-3 1/4"	40'-3 1/2"
6	40'-8 1/4"	10'-11"	16'-10 3/4"	42'-8 1/4"
7	41'-6"	13'-8 1/4"	14'-1 1/2"	41'-7 3/4"
8	37'-3 3/4"	28'-4 1/2"	14'-2"	28'-0 3/4"
9	35'-2 3/4"	29'-10 1/2"	16'-11 1/2"	25'-3"
10	32'-8 3/4"	29'-5 1/2"	19'-0 1/4"	23'-9 1/4"
11	26'-5 1/2"	33'-8"	26'-9 1/2"	16'-10 1/2"
S1	26'-1"	15'-11 3/4"	29'-10 1/2"	36'-3 1/2"
S2	36'-2 3/4"	29'-9 3/4"	16'-0"	26'-1"
H1	12'-1 1/2"	29'-11 1/2"	39'-2"	27'-12"
H2	25'-0 3/4"	37'-1"	30'-4"	13'-1 1/2"
A	-	41'-10 1/4"	49'-11 3/4"	27'-3 3/4"

DIAGONALS	1 TO 2	1 TO 3	1 TO 4	1 TO S1	1 TO S2	1 TO H1	1 TO H2	2 TO S1	2 TO S2	2 TO H1	2 TO H2	4 TO 5	4 TO 6	4 TO 7	4 TO 8	4 TO 9	4 TO 10	4 TO 11	4 TO S1	4 TO S2	4 TO H1	4 TO H2	5 TO 7	5 TO 8	5 TO 9	5 TO 10	5 TO 11	5 TO S1	5 TO S2	5 TO H1	5 TO H2	6 TO 7	6 TO 8	6 TO 9	6 TO 10	6 TO 11	6 TO S1	6 TO S2	6 TO H1	6 TO H2	7 TO 9	7 TO 10	7 TO 11	7 TO S1	7 TO S2	7 TO H1	7 TO H2	8 TO 9	8 TO 10
	15'-0"	17'-0"	18'-0"	17'-2 1/2"	19'-3 1/4"	10'-0"	10'-0"	9'-0 1/2"	14'-3 1/4"	17'-6"	18'-6 3/4"	6'-10 1/4"	15'-0 1/4"	16'-9 3/4"	22'-9"	22'-9 1/2"	21'-2 3/4"	22'-3 1/2"	0'-11 1/2"	23'-3 1/4"	15'-0"	24'-11 3/4"	10'-8"	20'-10"	21'-8 3/4"	20'-10"	24'-2 1/4"	7'-9"	21'-10 3/4"	21'-5 3/4"	27'-6"	2'-10"	18'-1 1/4"	20'-0"	20'-1 1/2"	25'-10"	15'-9 3/4"	19'-9"	28'-7 3/4"	29'-6 3/4"	18'-1 1/4"	18'-6 1/4"	24'-9 1/2"	17'-6 1/4"	17'-9 1/4"	29'-7 1/4"	28'-7"	2'-10"	4'-11 1/4"

DESCRIPTION	NO	6'	8'
8'-0" STRAIGHT - HS10850M	1	1	1
8'-0" STRAIGHT - PLAIN	2	-	-
7'-0" STRAIGHT - PLAIN	1	1	1
6'-0" STRAIGHT - HR	1	1	1
5'-0" STRAIGHT - PLAIN	-	2	-
4'-0" STRAIGHT - PLAIN	-	-	2
2'-6" STRAIGHT - PLAIN	2	2	2
8'-0" X 10'-0" RADIUS - PLAIN	3	3	3
8'-0" X 10'-0" RADIUS - HR	1	1	1
7'-0" X 9'-0" RADIUS - PLAIN	1	1	1
7'-0" X 9'-0" RADIUS - HR	1	1	1
5'-0" X 7'-0" REV RAD - PLAIN	1	1	1
3'-3" X 7'-0" REV RAD - PLAIN	1	1	1
3'-2" X 2'-0" RADIUS 90° CORNER	2	2	2
A-FRAME	17	18	18
HARDWARE STRAIGHT 150 PACK	2	2	2
REBAR STAKE 18 IN. (25 PACK)	2	2	2
OPTIONAL DECK SUPPORT	37	36	36

DIAGONALS	8 TO 11	8 TO S1	8 TO S2	8 TO H1	8 TO H2	9 TO 10	9 TO 11	9 TO S1	9 TO S2	9 TO H1	9 TO H2	10 TO 10	10 TO 11	10 TO S1	10 TO S2	10 TO H1	10 TO H2	11 TO S1	11 TO S2	11 TO H1	11 TO H2	S1 TO H1	S1 TO H2	S2 TO H1	S2 TO H2	H1 TO H2
	12'-8"	22'-9 3/4"	2'-0"	27'-9 1/2"	16'-2"	2-6 1/4"	9'-11 3/4"	22'-9"	1-0 1/4"	26'-3"	13'-4 3/4"	7'-9 1/4"	21'-1"	3-6 1/4"	23'-9 3/4"	11'-4 3/4"	21'-10"	11'-0"	19'-7 3/4"	3'-9 3/4"	23'-3"	14'-0 1/2"	24'-5"	27'-1 3/4"	14'-4 1/2"	20'-0"