

CLASSIC STEEL

20-0 X 17-0 X 40-0 MONACO-K REVERSE RIGHT



PART#: ISK-OL-2040-24-REV

DATE: 01/01/07

SCALE: 1/8" = 1'-0"

SURFACE AREA: (ft²): 680

LINER AREA (ft²): 800

SFTY COVER AREA (ft²): 924

PERIMETER: 107'-5"

VOLUME (US Gal): 22,322

VOLUME (Litres): 84,498

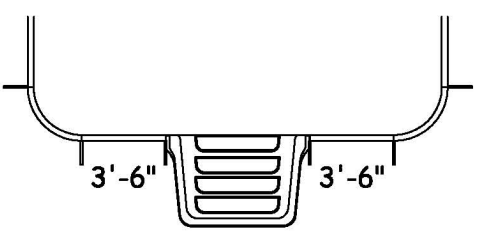


Feet First

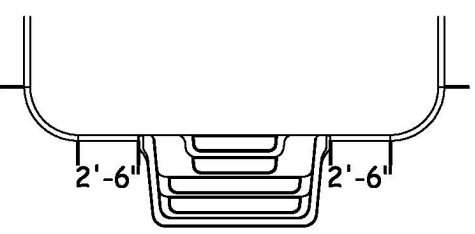
DIVING/SLIDING EQUIPMENT SHALL BE DESIGNED FOR SWIMMING POOLS AND SHALL BE INSTALLED IN ACCORDANCE WITH THE DIVING/SLIDING EQUIPMENT MANUFACTURER'S SPECIFICATIONS. PLEASE CONTACT THE DIVING/SLIDING EQUIPMENT MANUFACTURER FOR THEIR SPECIFICATIONS.

MEETS DEPTH AND SHAPE MINIMUM STANDARD ANS/INSP15-2003

6' STEP



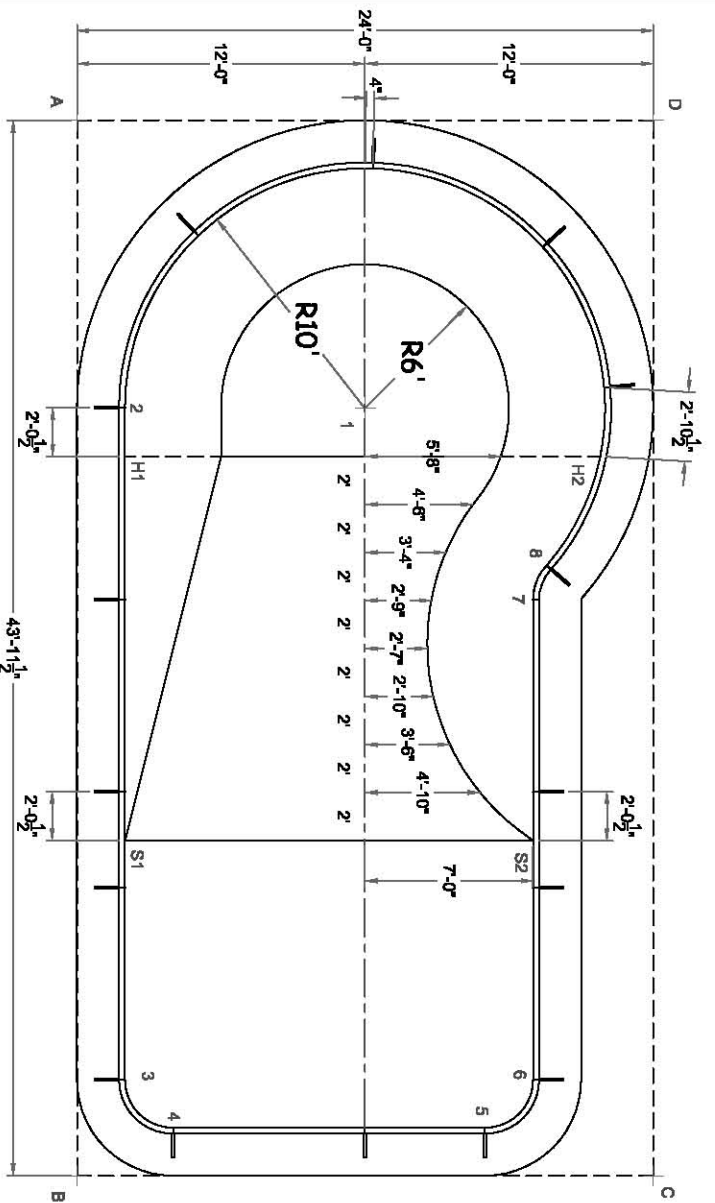
8' STEP



DWG#: CL0L24R2040R07

SHEET: 1 OF 2

MONACO-K REVERSE



	A	B	C	D
1	16'-11 3/4"	34'-1 3/4"	34'-1 3/4"	16'-11 3/4"
2	12'-1 1/2"	32'-0 3/4"	38'-10"	25'-0 1/2"
3	40'-0"	4'-5 3/4"	22'-4 1/4"	45'-7 1/2"
4	42'-1 3/4"	4'-5 3/4"	20'-1 1/4"	48'-5 3/4"
5	45'-3 1/4"	17'-1 1/2"	7'-3 1/4"	42'-6 1/2"
6	44'-3"	19'-5"	6'-4 3/4"	40'-3 1/4"
7	27'-6 3/4"	30'-7 1/4"	24'-6 1/4"	20'-7"
8	26'-11 1/2"	32'-1"	25'-9 3/4"	19'-0 3/4"
S1	30'-0 3/4"	14'-1 1/4"	26'-0 3/4"	37'-2 1/2"
S2	35'-6 1/4"	23'-7"	14'-10"	30'-5"
H1	14'-1 3/4"	30'-0 1/4"	37'-2"	26'-1"
H2	25'-11"	37'-0 1/2"	30'-0 1/2"	14'-2"
A	-	43'-11 1/2"	50'-1"	24'-0"

DIAGONALS	1 TO 2	10'-0"
1 TO 3	29'-8 1/4"	
1 TO 4	31'-0"	
1 TO S1	20'-7"	
1 TO S2	19'-3 3/4"	
1 TO H1	10'-2 1/2"	
1 TO H2	10'-0"	
2 TO 4	30'-0 3/4"	
2 TO S1	18'-0 1/2"	
2 TO S2	24'-9 1/2"	
2 TO H1	2'-0 1/2"	
2 TO H2	19'-10 3/4"	
3 TO 4	2'-10"	
3 TO S1	9'-11 1/2"	
3 TO S2	19'-8 1/2"	
3 TO H1	25'-11 1/2"	
3 TO H2	32'-7 3/4"	
4 TO 7	26'-7 1/2"	
4 TO 8	28'-1 1/2"	
4 TO S1	12'-1 1/2"	
4 TO S2	19'-2 1/4"	
4 TO H1	28'-0 1/4"	
4 TO H2	33'-1 3/4"	
5 TO 7	22'-1"	
5 TO 8	23'-6 3/4"	
5 TO S1	19'-2 1/4"	
5 TO S2	12'-1 1/2"	
5 TO H1	31'-0 1/4"	
5 TO H2	26'-1 1/4"	
7 TO 8	1'-6 1/4"	
7 TO S1	19'-9"	
7 TO S2	10'-0 1/2"	
7 TO H1	18'-0 1/4"	
7 TO H2	6'-7"	
8 TO S1	20'-11 3/4"	
8 TO S2	11'-5 3/4"	
8 TO H1	18'-1 3/4"	
8 TO H2	5'-0 3/4"	
S1 TO S2	17'-0"	
S1 TO H1	16'-0"	
S1 TO H2	25'-5 1/2"	
S2 TO H1	23'-4 1/4"	
S2 TO H2	16'-3"	
H1 TO H2	19'-9 1/2"	

BILL OF MATERIALS	STEP		
DESCRIPTION	NO	6'	8'
8'-0" STRAIGHT - HS10850M	1	1	1
8'-0" STRAIGHT - PLAIN	4	3	3
8'-0" STRAIGHT - HR	1	1	1
5'-0" STRAIGHT - PLAIN	1	-	-
4'-0" STRAIGHT - PLAIN	2	2	2
3'-6" STRAIGHT - PLAIN	-	2	-
Z-6" STRAIGHT - PLAIN	-	-	2
8'-0" X 10'-0" RADIUS - PLAIN	3	3	3
8'-0" X 10'-0" RADIUS - HR	1	1	1
6'-6" X 10'-0" RADIUS - PLAIN	1	1	1
3'2" X 2'0" RADIUS 90° CORNER	2	2	2
1'7" X 2'0" REV/RAD 45° CORNER	1	1	1
A-FRAME	18	19	19
HARDWARE STRAIGHT 150 PACK	2	2	2
REBAR, STAKE 18 IN. (25 PACK)	2	2	2
OPTIONAL DECK SUPPORT	40	39	39