

CLASSIC STEEL

19-4 X 16-10 X 31-0 LIBERTY RIGHT



PART#: ISK-LB-1931-00-STD
 DATE: 01/01/07
 SCALE: 1/8" = 1'-0"

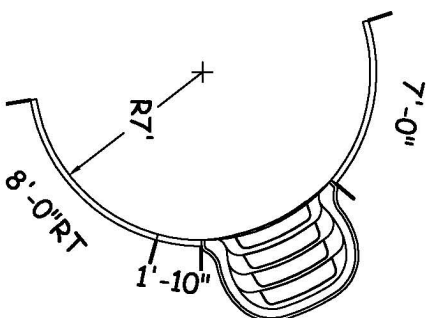
SURFACE AREA: (ft²): 407
 PERIMETER: 81'-3"
 LINER AREA (ft²): 492
 VOLUME (US Gal): 11,334
 SFTY COVER AREA (ft²): 742
 VOLUME (Litres): 42,904



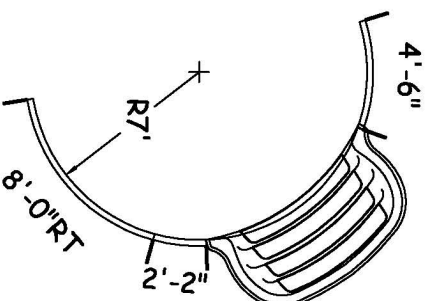
NON-DIVING POOL
 USE OF DIVING EQUIPMENT
 IS PROHIBITED

MEETS DEPTH AND SHAPE MINIMUM STANDARD ANS/SP15-2003

6' STEP



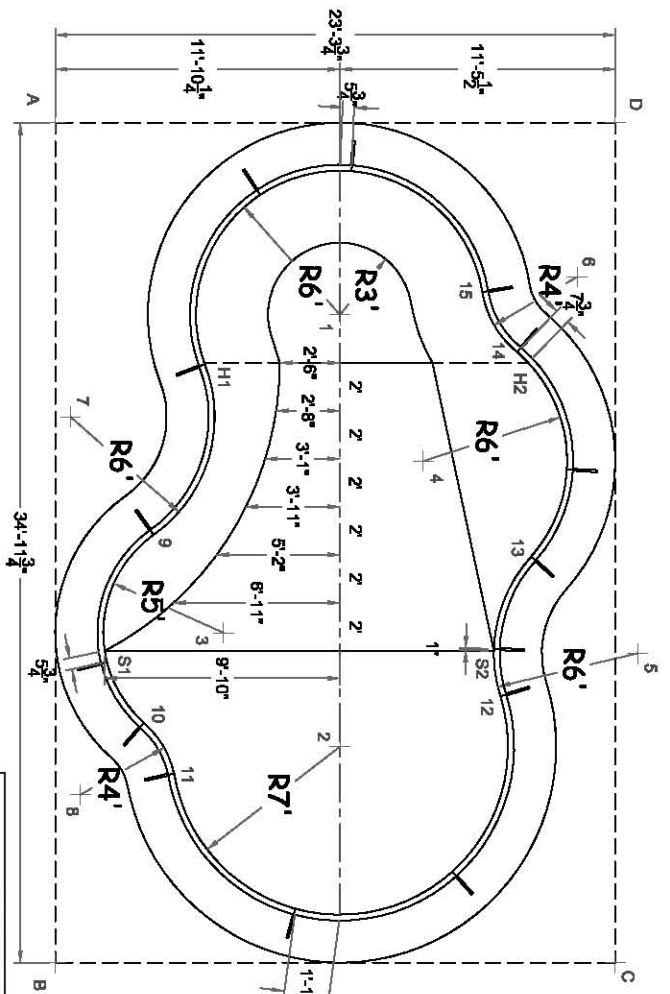
8' STEP



DWG#: CLLB00S1931R07

SHEET: 1 OF 2

LIBERTY



	A	B	C	D
1	14'-3 3/4"	29'-5 3/4"	29'-3 3/4"	13'-11 3/4"
2	28'-6 3/4"	14'-10 3/4"	14'-7"	28'-4 3/4"
3	22'-4 1/4"	15'-5 1/4"	21'-4"	26'-9 1/2"
4	20'-9 3/4"	25'-10 3/4"	22'-4 1/2"	16'-2 1/2"
5	32'-9 3/4"	27'-5 3/4"	12'-11"	22'-1 1/2"
6	22'-8"	35'-10 3/4"	28'-7 1/4"	6'-7 1/2"
7	12'-3 1/4"	22'-8 3/4"	32'-1 1/4"	25'-9 1/2"
8	28'-0"	7'-1"	23'-4 1/4"	35'-9 1/4"
9	17'-7 3/4"	18'-3 1/2"	26'-2 1/2"	25'-9 1/4"
10	25'-3"	10'-8"	22'-0 1/4"	31'-9 1/4"
11	27'-6 1/2"	9'-3 3/4"	20'-0"	32'-9"
12	30'-3"	21'-7 1/4"	12'-1"	24'-4 1/2"
13	26'-9 3/4"	26'-0 3/4"	17'-3 1/4"	18'-4 3/4"
14	21'-5 3/4"	31'-10 3/4"	25'-9"	10'-4 3/4"
15	19'-1 1/2"	33'-1 1/4"	28'-5 3/4"	8'-11 3/4"
S1	22'-1 1/4"	13'-1 3/4"	24'-11"	30'-7 1/4"
S2	28'-7 1/4"	22'-5"	13'-11 1/4"	22'-7"
H1	11'-9 1/4"	25'-9"	30'-3 1/2"	19'-10"
H2	22'-1 1/4"	31'-9 3/4"	25'-3"	10'-7 1/2"
A	-	34'-11 3/4"	42'-0 1/2"	23'-3 3/4"

DIAGONALS	
1 TO 2	17'-11 3/4"
1 TO 3	14'-1 1/4"
1 TO 4	7'-0 1/4"
1 TO 5	18'-9 1/2"
1 TO 6	10'-0"
1 TO 7	12'-0"
1 TO 8	22'-8 3/4"
1 TO S1	17'-1"
1 TO S2	15'-4 3/4"
1 TO H1	6'-0"
1 TO H2	8'-1 1/4"
2 TO 3	6'-9 1/2"
2 TO 4	12'-4 1/2"
2 TO 5	13'-0"
2 TO 6	22'-0"
2 TO 7	17'-8 3/4"
2 TO 8	11'-0"
2 TO S1	10'-7"
2 TO S2	7'-6 1/2"
2 TO H1	16'-11 1/2"
2 TO H2	17'-9 3/4"
3 TO 4	10'-11 1/2"
3 TO 5	17'-3 1/2"
3 TO 6	20'-10 3/4"
3 TO 7	11'-0"
3 TO 8	9'-0"

DIAGONALS	
3 TO S1	5'-0"
3 TO S2	11'-3 1/2"
3 TO H1	11'-3 1/4"
3 TO H2	16'-11 1/2"
4 TO 5	12'-0"
4 TO 6	10'-0"
4 TO 7	14'-9 1/2"
4 TO 8	19'-11"
4 TO S1	15'-5 1/4"
4 TO S2	8'-5 1/4"
4 TO H1	10'-0"
4 TO H2	6'-0"
5 TO 6	15'-10 1/2"
5 TO 7	25'-7"
5 TO 8	23'-11 1/2"
5 TO S1	22'-2 1/2"
5 TO S2	6'-0"
5 TO H1	21'-9"
5 TO H2	12'-11 1/4"
6 TO 7	21'-10 1/2"
6 TO 8	29'-10 1/2"
6 TO S1	25'-1"
6 TO S2	15'-11 1/2"
6 TO H1	15'-11 1/4"
6 TO H2	4'-1 1/4"
7 TO 8	15'-8 3/4"
7 TO S1	9'-10"
7 TO S2	20'-1 1/2"
7 TO H1	6'-0"
7 TO H2	19'-2 1/4"
8 TO S1	6'-0 3/4"
8 TO S2	18'-2 3/4"
8 TO H1	18'-9 1/2"
8 TO H2	25'-11"
9 TO 10	7'-10"
9 TO 11	9'-11 3/4"
9 TO 12	15'-11 1/4"
9 TO 13	15'-9"
9 TO 14	16'-11 1/4"
9 TO 15	17'-0 1/4"
9 TO S1	5'-3"
9 TO S2	14'-11 1/2"
9 TO H1	7'-5 1/2"
9 TO H2	17'-2"
10 TO 11	2'-5 1/2"
10 TO 12	14'-10 3/4"
10 TO 13	17'-6 1/2"
10 TO 14	21'-10 3/4"
10 TO 15	22'-9 3/4"

BILL OF MATERIALS		STEP	
DESCRIPTION	NO	6"	8"
8'-0" X 7'-0" RADIUS - PLAN	1	-	-
8'-0" X 7'-0" RADIUS - HR	1	1	1
7'-0" X 7'-0" RADIUS - PLAN	1	1	-
4'-6" X 7'-0" RADIUS - PLAN	-	-	1
2'-2" X 7'-0" RADIUS - PLAN	-	-	1
1'-10" X 7'-0" RADIUS - PLAN	-	1	-
8'-0" X 6'-0" RADIUS - HS10980M	1	1	1
8'-0" X 6'-0" RADIUS - HR	1	1	1
5'-6" X 6'-0" RADIUS - PLAN	1	1	1
4'-0" X 6'-0" RADIUS - PLAN	1	1	1
4'-0" X 5'-0" RADIUS - PLAN	2	2	2
6'-0" X 5'-0" RADIUS - PLAN	1	1	1
3'-0" X 5'-0" RADIUS - PLAN	1	1	1
8'-0" X 6'-0" REV RAD - PLAN	1	1	1
8'-0" X 6'-0" REV RAD - PLAN	1	1	1
4'-3" X 6'-0" REV RAD - PLAN	1	1	1
2'-0" X 6'-0" REV RAD - PLAN	1	1	1
3'-0" X 4'-0" REV RAD - PLAN	1	1	1
2'-6" X 4'-0" REV RAD - PLAN	1	1	1
A-FRAME	15	16	16
HARDWARE STRAIGHT 150 PACK	1	1	1
REBAR, STAKE 18 IN. (25 PACK)	2	2	2
OPTIONAL DECK SUPPORT	32	31	30

DIAGONALS	
10 TO S1	3'-4 3/4"
10 TO S2	14'-10 1/2"
10 TO H1	15'-2 1/4"
10 TO H2	21'-11 1/4"
12 TO 13	5'-11 1/2"
12 TO 14	14'-4 1/4"
12 TO 15	16'-10 1/4"
12 TO S1	16'-7"
12 TO S2	1'-11"
12 TO H1	18'-7"
12 TO H2	13'-11 1/4"
14 TO 15	2'-10 3/4"
14 TO H1	13'-0 1/2"
14 TO H2	0'-7 3/4"
S1 TO S2	16'-2 1/2"
S1 TO H1	12'-8 1/4"
S1 TO H2	21'-4"
S2 TO H1	17'-0 1/4"
S2 TO H2	12'-1"
H1 TO H2	13'-6"