

**CLASSIC STEEL**  
**14-0 X 15-3 X 27-10 CALIFORNIAN LEFT**

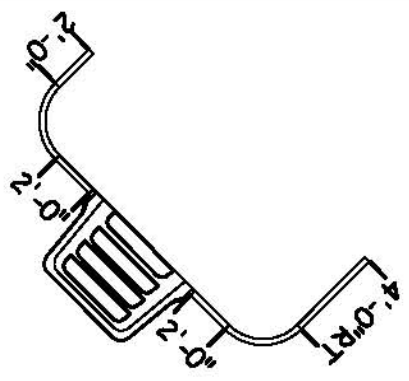
|                            |   |                         |
|----------------------------|---|-------------------------|
| PART#: ISK-MIN-1428-24-STD | SURFACE AREA (ft <sup>2</sup> ): 323    | PERIMETER: 72'-0"       |
| DATE: 01/01/07             | LINER AREA (ft <sup>2</sup> ): 390      | VOLUME (US Gal): 8,995  |
| SCALE: 1/8" = 1'-0"        | SFTY COVER AREA (ft <sup>2</sup> ): 563 | VOLUME (Litres): 34,050 |



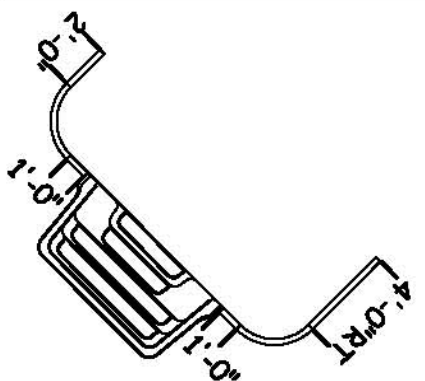
**NON-DIVING POOL**  
 USE OF DIVING EQUIPMENT  
 IS PROHIBITED

MEETS DEPTH AND SHAPE MINIMUM STANDARD ANSI/NSP 5-2003

6' STEP



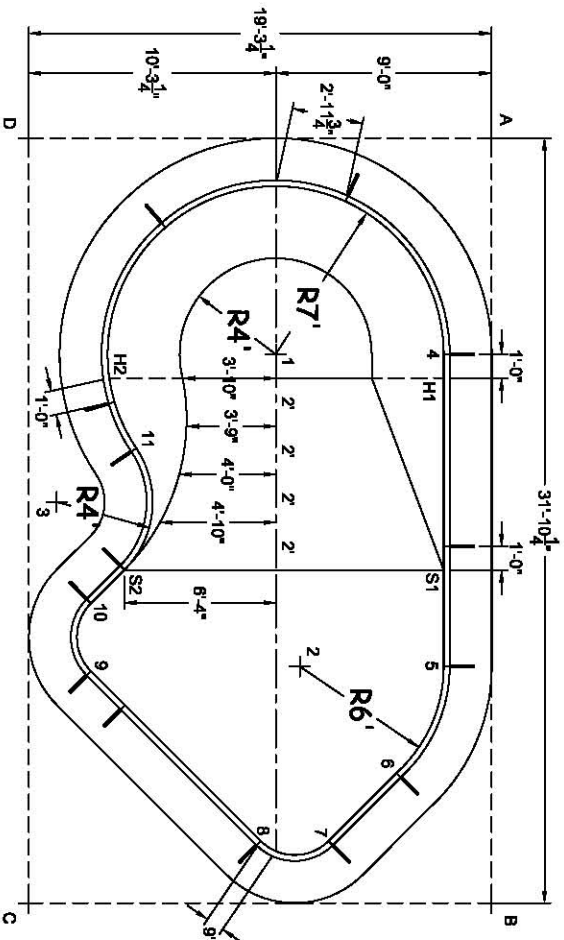
8' STEP



**CALIFORNIAN**

DWG#: **CLMN24S1428L07**

SHEET: 1 OF 2



|    | A          | B           | C           | D           |
|----|------------|-------------|-------------|-------------|
| 1  | 12'-8 3/4" | 24'-6 3/4"  | 25'-0 3/4"  | 13'-8"      |
| 2  | 23'-5"     | 12'-8 1/4"  | 14'-11 3/4" | 24'-8 3/4"  |
| 3  | 23'-7 1/2" | 24'-7 3/4"  | 16'-9"      | 15'-2 1/4"  |
| 4  | 9'-2 3/4"  | 22'-11 1/4" | 28'-7 3/4"  | 19'-5 3/4"  |
| 5  | 22'-1"     | 10'-0 3/4"  | 19'-10 3/4" | 27'-11 3/4" |
| 6  | 26'-8 3/4" | 6'-8 1/2"   | 16'-3"      | 30'-6 3/4"  |
| 7  | 30'-0 1/2" | 7'-3 1/4"   | 12'-9"      | 31'-9 3/4"  |
| 8  | 30'-9 3/4" | 9'-11 1/2"  | 10'-0"      | 30'-9 3/4"  |
| 9  | 27'-9 1/4" | 19'-3 1/2"  | 10'-0"      | 22'-4 1/4"  |
| 10 | 25'-6 3/4" | 20'-10 1/4" | 12'-9"      | 19'-6 1/2"  |
| 11 | 19'-7 3/4" | 24'-0 1/2"  | 19'-5 1/2"  | 13'-8"      |
| S1 | 18'-1 1/4" | 14'-0"      | 22'-1 3/4"  | 24'-11 1/2" |
| S2 | 23'-7 1/2" | 20'-7 3/4"  | 14'-5"      | 18'-5 1/4"  |
| H1 | 10'-2 1/2" | 21'-11 1/4" | 27'-10 1/4" | 19'-11 1/2" |
| H2 | 18'-9 3/4" | 27'-0 1/2"  | 22'-1 1/4"  | 10'-6 1/2"  |
| A  | -          | 31'-10 1/4" | 37'-2 3/4"  | 19'-3 1/4"  |

| DIAGONALS | 1 TO 2     | 1 TO 3 | 1 TO 4 | 1 TO S1    | 1 TO S2 | 1 TO H1   | 1 TO H2 | 2 TO S1   | 2 TO S2 | 2 TO H1 | 2 TO H2    | 4 TO 5 | 4 TO 6     | 4 TO 7  | 4 TO 8     | 4 TO 9 | 4 TO 10     | 4 TO 11    | 4 TO S1 | 4 TO S2    | 4 TO H1 | 4 TO H2     | 5 TO 6     | 5 TO 7    | 5 TO 8     | 5 TO 9     | 5 TO 10 | 5 TO 11    | 5 TO S1 | 5 TO S2     | 5 TO H1 | 5 TO H2    | 6 TO 7 | 6 TO 8     | 6 TO 9 | 6 TO 10 | 6 TO 11    | 6 TO S1    | 6 TO S2 | 6 TO H1 | 6 TO H2 | 7 TO 8 | 7 TO 9     | 7 TO 10 | 7 TO 11    | 7 TO S1     | 7 TO S2 | 7 TO H1 |
|-----------|------------|--------|--------|------------|---------|-----------|---------|-----------|---------|---------|------------|--------|------------|---------|------------|--------|-------------|------------|---------|------------|---------|-------------|------------|-----------|------------|------------|---------|------------|---------|-------------|---------|------------|--------|------------|--------|---------|------------|------------|---------|---------|---------|--------|------------|---------|------------|-------------|---------|---------|
|           | 13'-0 1/2" | 11'-0" | 7'-0"  | 11'-4 3/4" | 10'-12" | 7'-0 3/4" | 7'-0"   | 7'-2 1/2" | 8'-4"   | 13'-5"  | 14'-4 1/2" | 13'-0" | 17'-6 1/2" | 20'-10" | 21'-7 3/4" | 19'-9" | 17'-11 3/4" | 13'-4 3/4" | 9'-0"   | 16'-0 3/4" | 1'-0"   | 13'-11 1/2" | 4'-10 1/4" | 8'-8 1/2" | 10'-6 1/2" | 14'-8 1/4" | 14'-11" | 15'-8 1/2" | 4'-0"   | 13'-10 3/4" | 12'-0"  | 18'-4 1/2" | 4'-0"  | 14'-6 3/4" | 17'-4" | 8'-8"   | 14'-1 3/4" | 16'-6 3/4" | 20'-4"  | 2'-10"  | 12'-2"  | 14'-0" | 18'-2 1/2" | 12'-3"  | 14'-1 1/2" | 19'-10 1/4" |         |         |

| DESCRIPTION                   | NO | STEP |
|-------------------------------|----|------|
| 8'-0" STRAIGHT - HS10860M     | 1  | 1    |
| 8'-0" STRAIGHT - PLAN         | 1  | -    |
| 5'-0" STRAIGHT - PLAN         | 1  | 1    |
| 4'-0" STRAIGHT - HR           | 1  | 1    |
| 2'-0" STRAIGHT - PLAN         | 2  | 3    |
| 1'-0" STRAIGHT - PLAN         | -  | -    |
| 8'-0" X 7'-0" RADIUS - PLAN   | 2  | 2    |
| 8'-0" X 7'-0" RADIUS - HR     | 1  | 1    |
| 2'-2" X 7'-0" RADIUS - PLAN   | 1  | 1    |
| 5'-0" X 6'-0" RADIUS - PLAN   | 1  | 1    |
| 5'-6" X 4'-0" REV RAD - PLAN  | 1  | 1    |
| 3'2" X 2'0" RADIUS 90° CORNER | 2  | 2    |
| A-FRAME                       | 14 | 15   |
| HARDWARE STRAIGHT 150 PACK    | 1  | 1    |
| REBAR STRIKE 18 in. (25 PACK) | 2  | 2    |
| OPTIONAL DECK SUPPORT         | 28 | 27   |

| DIAGONALS | 7 TO H2 | 8 TO 9 | 8 TO 10 | 8 TO 11 | 8 TO S1    | 8 TO S2    | 9 TO H1    | 9 TO H2    | 9 TO 10 | 9 TO 11   | 9 TO S1    | 9 TO S2 | 9 TO H1    | 9 TO H2    | 9 TO 10   | 9 TO 11 | 9 TO S1     | 9 TO S2 | 10 TO H1  | 10 TO H2   | 10 TO 11  | 10 TO S1   | 10 TO S2  | 10 TO H1   | 10 TO H2 | 11 TO H1   | 11 TO H2   | 11 TO S1  | 11 TO S2    | 11 TO H1 | 11 TO H2 | 11 TO S1 | 11 TO S2 | S1 TO H1 | S1 TO H2 | S2 TO H1 | S2 TO H2 | H1 TO H2 |
|-----------|---------|--------|---------|---------|------------|------------|------------|------------|---------|-----------|------------|---------|------------|------------|-----------|---------|-------------|---------|-----------|------------|-----------|------------|-----------|------------|----------|------------|------------|-----------|-------------|----------|----------|----------|----------|----------|----------|----------|----------|----------|
|           | 21'-4"  | 10'-0" | 12'-2"  | 17'-2"  | 13'-7 1/4" | 12'-7 1/2" | 20'-8 3/4" | 20'-3 1/4" | 2'-10"  | 9'-5 3/4" | 15'-3 1/2" | 4'-5"   | 19'-1 1/4" | 12'-2 3/4" | 6'-8 3/4" | 14'-9"  | 11'-11 1/4" | 17'-5"  | 9'-4 3/4" | 13'-9 1/4" | 5'-1 1/4" | 13'-1 1/2" | 3'-1 1/2" | 13'-3 3/4" | 8'-0"    | 16'-0 3/4" | 15'-6 1/2" | 8'-0 1/4" | 13'-11 1/4" |          |          |          |          |          |          |          |          |          |

14-0 X 15-3 X 27-10 CALIFORNIAN LEFT

DWG #: CLMN24S1428L07

DATE: 01/01/07

SHEET: 2 OF 2