

CLASSIC STEEL
12-0 X 15-4 X 31-8 CONTEMPORARY LAZY-L RIGHT

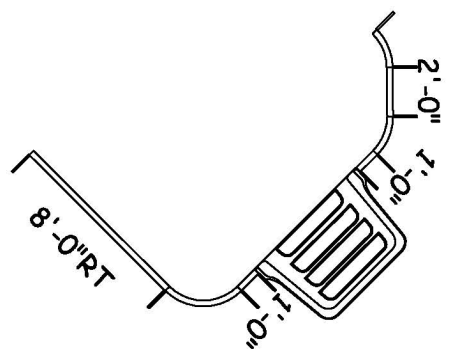
PART#: ISK-LC-1232-24-STD	SURFACE AREA (ft ²): 371	PERIMETER: 81'-10"
DATE: 01/01/07	LINER AREA (ft ²): 377	VOLUME (US Gal): 10,331
SCALE: 1/8" = 1'-0"	SFTY COVER AREA (ft ²): 467	VOLUME (Litres): 39,107



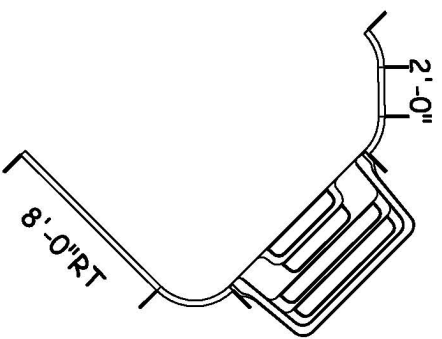
NON-DIVING POOL
 USE OF DIVING EQUIPMENT
 IS PROHIBITED

MEETS DEPTH AND SHAPE MINIMUM STANDARD ANS/SP15-2003

6' STEP



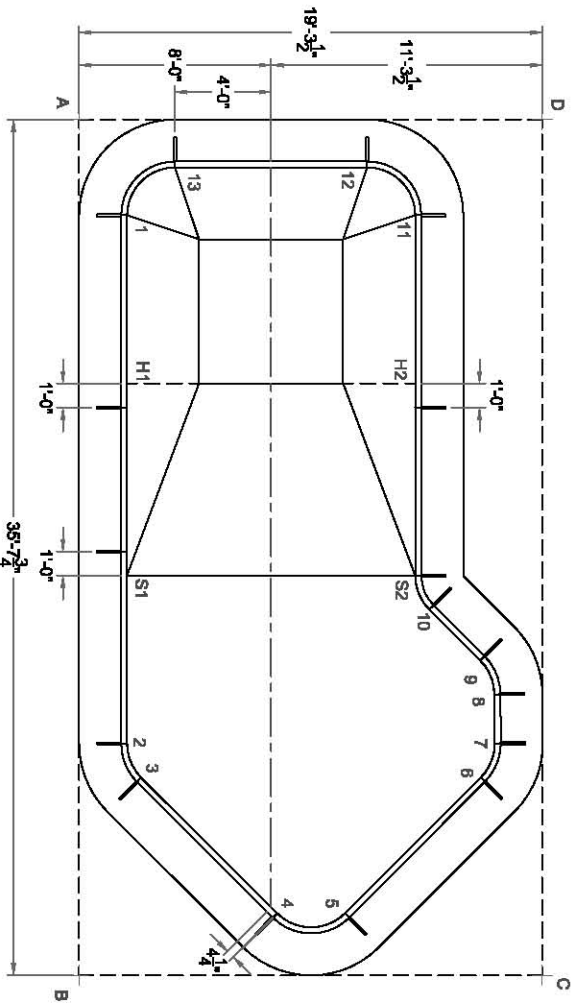
8' STEP



DWG#: **CLLC24S1232R07**

CONTEMPORARY LAZY-L

SHEET: 1 OF 2



	A	B	C	D
1	4'-5 3/4"	31'-8 1/2"	36'-0 3/4"	17'-9"
2	26'-1"	9'-10 1/4"	19'-9 3/4"	31'-2 3/4"
3	27'-6 1/2"	8'-7 1/2"	18'-7 1/2"	32'-1 1/4"
4	34'-1"	8'-7 3/4"	11'-4 1/4"	34'-10 1/4"
5	34'-10 1/2"	11'-4 1/2"	8'-7 1/4"	34'-0 3/4"
6	32'-1 1/4"	18'-7 3/4"	8'-7 3/4"	27'-6 1/4"
7	31'-2 3/4"	19'-10"	9'-10 1/4"	26'-0 3/4"
8	29'-6 1/2"	20'-10 1/2"	11'-10 1/2"	24'-0 1/2"
9	28'-0 3/4"	21'-3"	13'-4 1/2"	22'-8 1/4"
10	25'-1"	21'-1 1/4"	15'-11 1/2"	20'-11 1/2"
11	14'-6 3/4"	34'-7 1/4"	32'-1"	6'-7 1/2"
12	12'-2"	35'-8 3/4"	34'-5 1/4"	7'-6 3/4"
13	4'-5 3/4"	33'-10 3/4"	36'-11 1/2"	15'-5"
S1	19'-1 1/4"	16'-9 1/4"	24'-0"	25'-8 1/4"
S2	23'-7 1/4"	21'-9"	17'-5 3/4"	19'-8 3/4"
H1	11'-2 1/4"	24'-8 3/4"	30'-1 1/4"	20'-6"
H2	17'-9 3/4"	28'-4 1/4"	25'-2 1/2"	12'-2 1/2"
A	-	35'-7 3/4"	40'-6 1/2"	19'-3 1/2"

DIAGONALS	1 TO 2	22'-0"
1 TO 3	23'-5"	
1 TO 4	29'-8 3/4"	
1 TO 5	30'-5 1/2"	
1 TO S1	15'-0"	
1 TO S2	19'-2 1/2"	
1 TO H1	7'-0"	
1 TO H2	13'-10 3/4"	
2 TO 3	1'-6 1/4"	
2 TO 4	9'-5 1/4"	
2 TO 5	11'-6"	
2 TO S1	7'-0"	
2 TO S2	13'-10 3/4"	
2 TO H1	15'-0"	
2 TO H2	19'-2 1/2"	
3 TO 4	8'-0"	
3 TO 5	10'-2 1/2"	
3 TO S1	8'-5 1/4"	
3 TO S2	14'-2 1/4"	
3 TO H1	16'-5"	
3 TO H2	20'-0"	
4 TO 5	2'-10"	
4 TO 6	10'-2 1/2"	
4 TO 7	11'-6"	
4 TO 8	12'-10 1/4"	
4 TO 9	13'-6"	
4 TO 10	14'-1 3/4"	
4 TO 11	29'-7 1/2"	
4 TO 12	31'-3 1/2"	
4 TO 13	31'-4 1/4"	
4 TO S1	15'-4 3/4"	
4 TO S2	15'-2 1/2"	
4 TO H1	22'-11 1/4"	
4 TO H2	22'-9 3/4"	
5 TO 8	11'-0 1/2"	
5 TO 10	13'-1 1/2"	
5 TO 12	31'-1"	
5 TO S1	16'-8 3/4"	
5 TO S2	14'-4 1/2"	
5 TO H1	23'-10 1/4"	
5 TO H2	22'-3"	
6 TO 8	3'-6"	
6 TO 10	7'-3 3/4"	
6 TO 12	25'-10"	
6 TO S1	16'-11 1/2"	
6 TO S2	8'-10"	
6 TO H1	22'-0 1/2"	
6 TO H2	16'-7 1/2"	
7 TO 9	3'-6"	

BILL OF MATERIALS	NO	STEP
8'-0" STRAIGHT - HS10850M	1	1
8'-0" STRAIGHT - PLAIN	3	2
8'-0" STRAIGHT - HR	2	2
7'-0" STRAIGHT - PLAIN	1	1
6'-0" STRAIGHT - PLAIN	1	1
3'-0" STRAIGHT - PLAIN	1	1
2'-0" STRAIGHT - PLAIN	1	1
1'-0" STRAIGHT - PLAIN	-	2
3/2" X 2" RADIUS 90° CORNER	3	3
1" X 2" RADIUS 45° CORNER	3	3
1" X 2" REV/RAD 45° CORNER	1	1
A-FRAME	16	18
HARDWARE STRAIGHT 160 PACK	1	1
REBAR, STAKE 18 IN. (25 PACK)	2	2
OPTIONAL DECK SUPPORT	31	31

DIAGONALS	NO	STEP
7 TO 11	22'-3"	
7 TO 13	27'-5 1/4"	
7 TO S1	16'-10"	
7 TO S2	7'-8 3/4"	
7 TO H1	21'-5 1/4"	
7 TO H2	15'-4 1/4"	
8 TO 9	1'-6 1/4"	
8 TO 11	20'-2 1/2"	
8 TO 13	25'-8"	
8 TO S1	16'-0 3/4"	
8 TO S2	5'-11 1/4"	
8 TO H1	20'-0 1/2"	
8 TO H2	13'-4 1/4"	
10 TO 11	16'-5"	
10 TO 12	18'-7 1/4"	
10 TO 13	21'-3"	
10 TO S1	12'-8"	
10 TO S2	1'-6 1/4"	
10 TO H1	15'-8 1/2"	
10 TO H2	9'-5 1/4"	
13 TO S1	17'-1 1/2"	
13 TO S2	19'-8 3/4"	
13 TO H1	9'-2 3/4"	
13 TO H2	13'-5 1/2"	
S1 TO S2	12'-0"	
S1 TO H1	8'-0"	
S1 TO H2	14'-5"	
S2 TO H1	14'-5"	
S2 TO H2	8'-0"	
H1 TO H2	12'-0"	